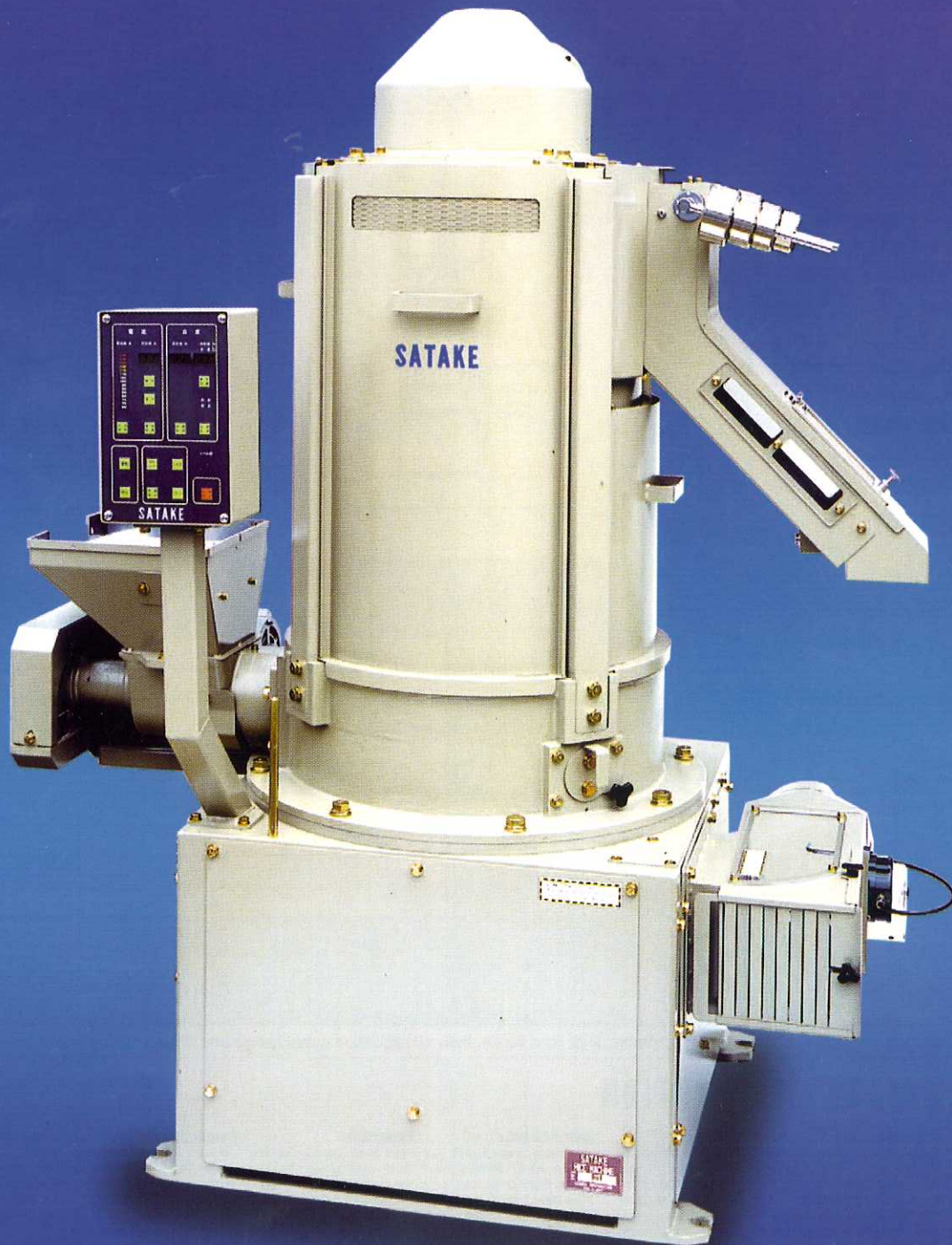


Ideal Degerming Machine for Modern Maize Mills

# MAIZE DEGERMER

VBF10AM



**SATAKE CORPORATION**

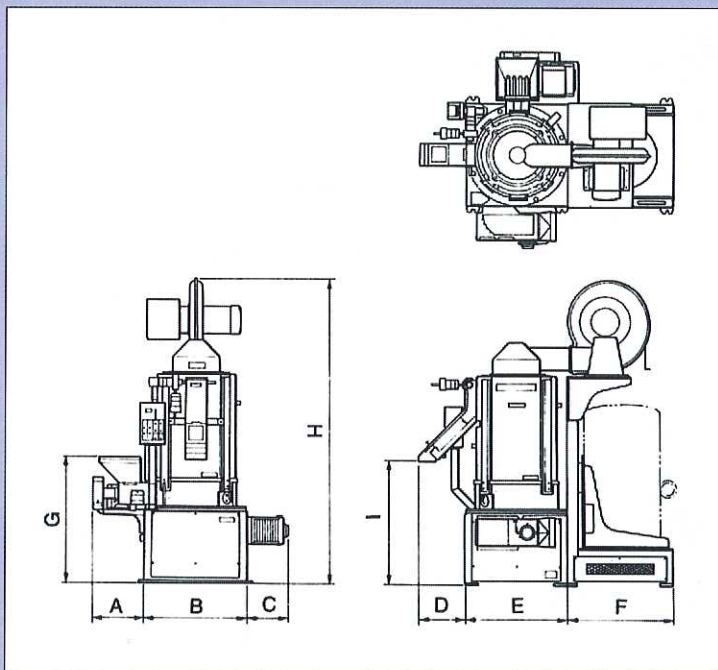
# MAIZE DEGERMER

## Specifications

Model	Input Capacity (t/h)	Motor (kW)	Main Shaft (r.p.m.)	Air Volume (m <sup>3</sup> /min)	Static Pressure (mmAq)	Net Weight (kg)
VBF10AM	4~5	55 or 75	485r.p.m.(50Hz)	45	-100~-150	w/o Motor 1,200
			464r.p.m.(60Hz)			

\*Automatic Weight Control System is optional.

## Dimensions



unit : mm

Model	VBF10AM
A	375
B	730
C	328
D	329
E	730
F	780
G	880
H	2,177
I	880

The VBF series of vertical maize degerming machines incorporate the most advanced techniques and has proved to be superior to other machines in maize degerming mills throughout the world. The versatility of the VBF for decorticating and degerming of all kernels makes it the ideal machine for modern maize mills.

## FEATURES:

- Higher degerming yield:**  
The newly developed degerming chamber produces evenly decorticated and degermed maize with higher yield.
- Lower installation and operation costs:**  
The VBF's robust construction and low specific power minimizes operating costs and its compact design minimizes floor space requirements and installation costs.
- Easy maintenance:**  
The screens and two-piece degerming roll are easily removed from the side of the machine.
- One-touch discharge of remaining maize (Optional):**  
The maize remaining in the chamber after degerming can be easily discharged by using the optional suction fan system.

All Satake products are the subject of continuous development and, as a result, their specification may change and differ in detail from those shown.

SATAKE CORPORATION is registered with ISO9001 standards for quality management systems and ISO14001 standards for environmental management systems.

## SATAKE CORPORATION



ISO9001



ISO14001

### Head Office

2-30, Saijo-Nishihonmachi,  
Higashi-Hiroshima, 739-8602, Japan  
Tel : +81-82-420-8560/8539  
Fax : +81-82-420-0965  
e-mail: kg-hiroshima@satake-japan.co.jp  
URL : www.satake-japan.co.jp

### UK Division

P.O.Box 53, Bredbury, Stockport,  
Cheshire, SK6 2FG, England  
Tel : +44-161-406-3800  
Fax : +44-161-406-3801  
e-mail : sales@satake.co.uk  
URL : www.satake.co.uk

### New Delhi Office

4th Floor, Tower-1, HB Twin  
Towers, A2, 3, 4-Nelaji Subhash  
Place, Wazirpur District Centre,  
New Delhi, 110034, India  
Tel: 91-11-51472626  
Fax: 91-11-51472624

### Beijing Office

Room 203B, Chang Xin Building,  
No.39 An Ding Road,Chao Yang  
District,Beijing, P.R. China  
Tel : +86-10-6443-3822  
Fax : +86-10-6443-4188

### Bangkok Office

133 Moo 5, Bangkadi Industrial Park  
Tivanon, Road, Patumthani 12000  
Thailand  
Tel : +66-2-501-1223  
Fax : +66-2-501-1225  
e-mail : sataketh@asia.com

### Yangon Office

No.4 Kanthaya Street,  
South Okkalapa Township, Yangon  
Myanmar  
Tel : +95-1-578303  
Fax : +95-1-570610

### SATAKE USA INC.

10905 Cash Road,  
Stafford, Texas 77477 U.S.A.  
Tel : +1-281-276-3600  
Fax : +1-281-494-1375  
e-mail : rice@satake-usa.com  
URL : www.satake-usa.com

### SATAKE AUSTRALIA PTY. LTD.

23-25 Marigold Street, Revesby,  
NSW 2212 Australia  
Tel : +61-2-9774-1155  
Fax : +61-2-9774-1248  
e-mail : salaus@ozemail.com.au  
URL : www.satake.com.au

### SATAKE (THAILAND) CO., LTD.

133 Moo 5, Bangkadi Industrial Park  
Tivanon Road, Patumthani 12000  
Thailand  
Tel : +66-2-501-1180  
Fax : +66-2-501-1188  
e-mail : sataketh@asia.com

### SATAKE MANUFACTURING (SUZHOU) CO., LTD.

Jin Feng Road, Suzhou  
New District, Suzhou City,  
Jiangsu Province P.R.China  
Tel : +86-512-6536-8225  
Fax : +86-512-6536-3004  
URL : www.satake-suzhou.com.cn

### SATAKE (CANADA) INC.

2550 Argenta Road, Suite 119  
Mississauga, Ontario  
L5N 5R1 Canada  
Tel : +1-905-858-0791  
Fax : +1-905-858-0957

### SATAKE AMERICA LATINA LTDA.

Rua Xavantes, 155-Bairro  
Atradores, CEP 89203-210,  
Joinville, Santa Catarina, Brazil  
Tel : +55-47-438-0413  
Fax : +55-47-438-7932  
e-mail : ricardo@satake.com.br