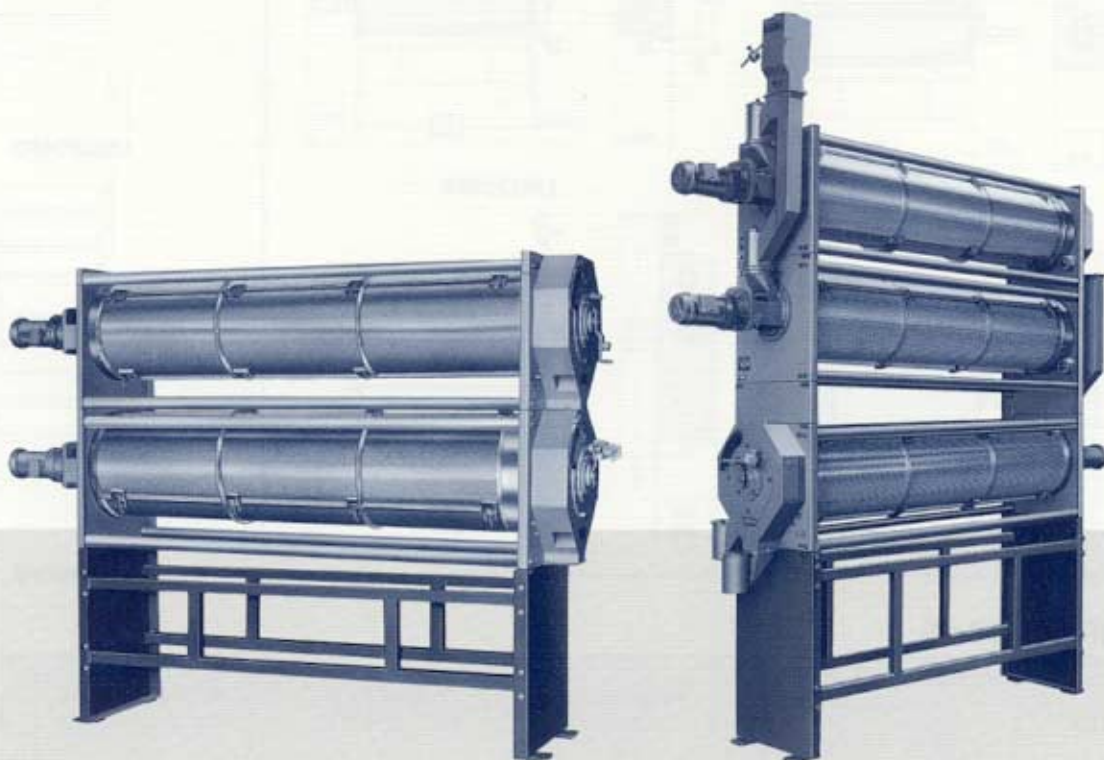

SATAKE LENGTH GRADER



LRG 204FA

LRG 306FB

Machine stand is optional.

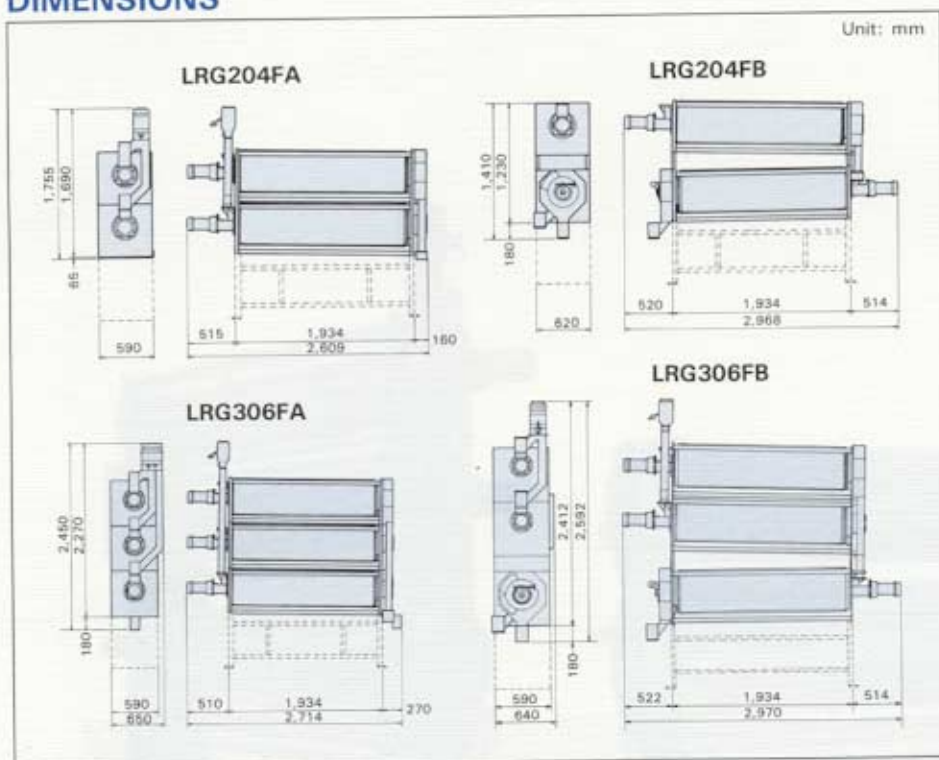
FOREMOST IN THE GRAIN WORLD
SATAKE CORPORATION

Satake Length Grader, indented cylinder type, separates one or two kinds of broken or shorter grain from whole grain by length. Broken grain or shorter grain which is more than half of whole grain in length can not separate from whole grain by a sieve or thickness/width grader. Accordingly, this type machine is must for rice millers and seed makers who wish to obtain the high quality products. The stocks fed into the indented cylinder are taken up by the indents of the rotating cylinder. The grain longer in length drops out of indents on their way to reach the catch trough and the grain remaining in the indents are thrown into the catch trough.

FEATURES

1. Easy assembly/disassembly or operation is ensured through its compact design, light body and simple construction.
2. The grain flow-down pipes are equipped with the sampling outlets capable of sampling grain at each stage.
3. The degrees of separation of grain can be observed from the inspection windows.
4. Direct-coupled geared motors are used for less maintenance, instead of belt or chain drive system.

DIMENSIONS



FLOW DIAGRAM



SPECIFICATIONS

MODEL	INPUT CAPACITY t on s/hr		REQUIRED POWER kW	DIAMETER OF INDENT mm	REVOLUTION OF CYLINDER rpm	NET WEIGHT kg
	PADDY 0.56t/m ³	WHITE RICE 0.8t/m ³				
LRG204FA	1.4	2.0	0.4 × 2	2.8, 3.2, 3.6, 4.0, 4.75, 4.9, 5.2, 5.7, 6.2, 8.2, 9.8	50	380
LRG204FB	0.7	1.0				
LRG306FA	2.0	3.0	0.4 × 3		50	560
LRG306FB	1.4	2.0				

- * Specifications subject to change without notice.
- * The above capacities on white rice having a maximum content of 15% broken.
- * Capacity is big different according to the required separating efficiency or content of removing materials or raw material conditions.
- * Please contact us for correct capacity and other applicable materials.

Since 1896

SATAKE CORPORATION

Ueno Hirokoji Bldg, Ueno 1-19-10, Taito-ku, Tokyo, Japan
 Telex No. 265-5993 Cable Address: SAHIKO, TOKYO
 Tel. 81-3-3835-3111 Fax. 81-3-3832-4503

CAT No. IV-3-(2)