

Milling Equipment for Versatile Uses

VERTICAL RICE WHITENER

VTA5AA / 10AB



VTA10AB-TA

The design concept of the Satake Vertical Rice Whitener, VTA series, is the result of the accumulation of many years of vertical milling engineering expertise. This machine has incorporated all of the most modern techniques of vertical milling and has been proven to be "The Machine" in many major mills throughout the United States and Europe, and in Asian countries such as Thailand and India. The versatility of the VTA for milling all degrees of milled rice has given the industry the ideal machine.

FEATURES:

1. Higher Milling Yield and Fewer Broken:

Evenly milled, higher yield rice with fewer broken and minimum moisture loss is obtained due to the adoption of the newly developed, state-of-the-art milling chamber.

2. Easy Operation:

The required whiteness is easily obtained by the adjustment of the discharge weight. An automatic milling degree controller is also available as an option.

3. Easy Replacement of Parts:

The abrasive rolls are easily withdrawn from the top of the unit, because the cantilevered main shaft design makes a bearing at the top of the machine unnecessary. The screens are of a "lift-away" design, which makes screen changes quick and easy without having to remove the frame from the machine. All other parts are easily accessible and readily changeable.

4. Minimum Bran Residue Inside Machine:

In the section below the milling chamber, there is a bran rotor valve which assists in removing bran from the machine.

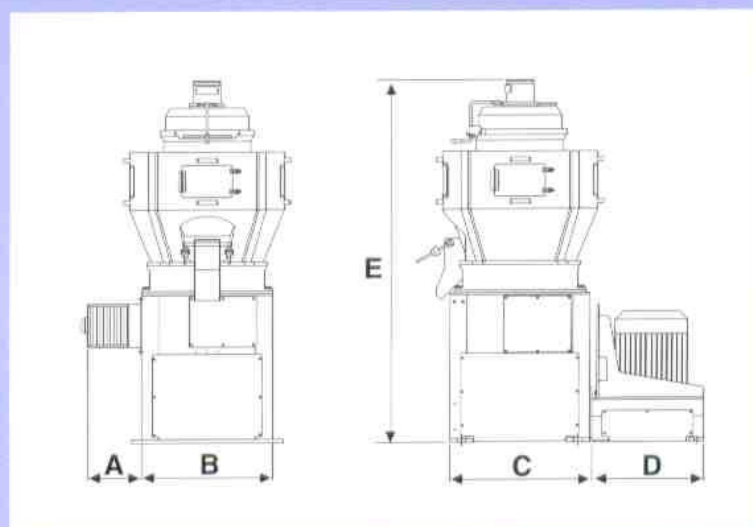
※Satake VTA is also applicable for other grains, e.g. barley, oats, sorghum etc. Please contact your Satake Representative office for details.

VERTICAL RICE WHITENER

Specifications

Model	VTA5AA	VTA10AB
Capacity (t/h)	Non-Parboiled	2~3
	Parboiled	1.5~2.5
Motor (kW)	22~30 (4P)	45~55 (6P)
Air Volume (m ³ /min)	30	50
Static Pressure (mmAq)	-80~-100	-100~-150

Dimensions



Model	A (mm)	B (mm)	C (mm)	D (mm)	E (mm)
VTA5AA	250	750	750	748	2,310
VTA10AB	390	770	837	660	2,148

Model	Weight (kg)*	Volume (m ³)**
VTA5AA	Approx. 900	Approx. 3.2
VTA10AB	Approx. 1,500	Approx. 6.5

* Approximate Shipping Weight (without motor)

** Approximate Shipping Volume

All Satake products are the subject of continuous development and, as a result, their specification may change and differ in detail from those shown.

SATAKE CORPORATION is registered with ISO9001 standards for quality management systems and ISO14001 standards for environmental management systems.

SATAKE CORPORATION



ISO9001



ISO14001

Head Office

2-30, Saijo-Nishihonmachi, Higashi-Hiroshima, 739-8602, Japan
Tel : +81-824-20-8560/8539
Fax : +81-824-20-0865
e-mail: ky-hitoshima@satake-japan.co.jp
URL : www.satake-japan.co.jp

UK Division

P.O.Box 53, Bredbury, Stockport, Cheshire, SK6 2FG, England
Tel : +44-161-406-3800
Fax : +44-161-406-3801
e-mail : sales@satake.co.uk
URL : www.satake.co.uk

New Delhi Office

11th Floor, Dr. Gopal Das Bhawan, 28 Barakhamba Road, New Delhi 110001 India
Tel : +91-11-3738646
Fax : +91-11-3738647

Beijing Office

Room 203B, Chang Xin Building, No.39 An Ding Road,Chao Yang District,Beijing, P.R. China
Tel : +86-10-6443-3822
Fax : +86-10-6443-4188

Bangkok Office

133 Moo 5, Bangkadi Industrial Park Tivanon, Road, Patumthani 12000 Thailand
Tel : +66-2-501-1223
Fax : +66-2-501-1225
e-mail : sataketh@asia.com

Yangon Office

No.4 Kanthaya Street, South Okatapa Township, Yangon Myanmar
Tel : +95-1-578303
Fax : +95-1-570610

SATAKE USA INC.

9800 Townpark, Houston, Texas 77036 U.S.A.
Tel : +1-713-772-8400
Fax : +1-713-772-8484
e-mail : rice@satake-usa.com
URL : www.satake-usa.com

SATAKE AUSTRALIA PTY. LTD.

23-25 Marigold Street, Revesby, NSW 2212 Australia
Tel : +61-2-9774-1155
Fax : +61-2-9774-1248
e-mail : sataus@ozemail.com.au
URL : www.satake.com.au

SATAKE (THAILAND) CO., LTD.

133 Moo 5, Bangkadi Industrial Park Tivanon Road, Patumthani 12000 Thailand
Tel : +66-2-501-1180
Fax : +66-2-501-1188
e-mail : sataketh@asia.com

SATAKE MANUFACTURING (SUZHOU) CO., LTD.

Jin Feng Road, Suzhou New District, Suzhou City, Jiangsu Province P.R.China
Tel : +86-512-8536-8225
Fax : +86-512-8536-3004
URL : www.satake-suzhou.com.cn

SATAKE (CANADA) INC.

2550 Argentea Road, Suite 119 Mississauga, Ontario L5N 6R1 Canada
Tel : +1-905-858-0791
Fax : +1-905-858-0957

SATAKE AMERICA LATINA LTDA.

Conjunto Empresarial Joinville Rua Xavantes, 155-Bairro Atiradores 89203-210-Joinville-Santa Catalina, Brazil
Tel : +55-47-438-0413
Fax : +55-47-438-7932
e-mail : ricardo@satake.com.br