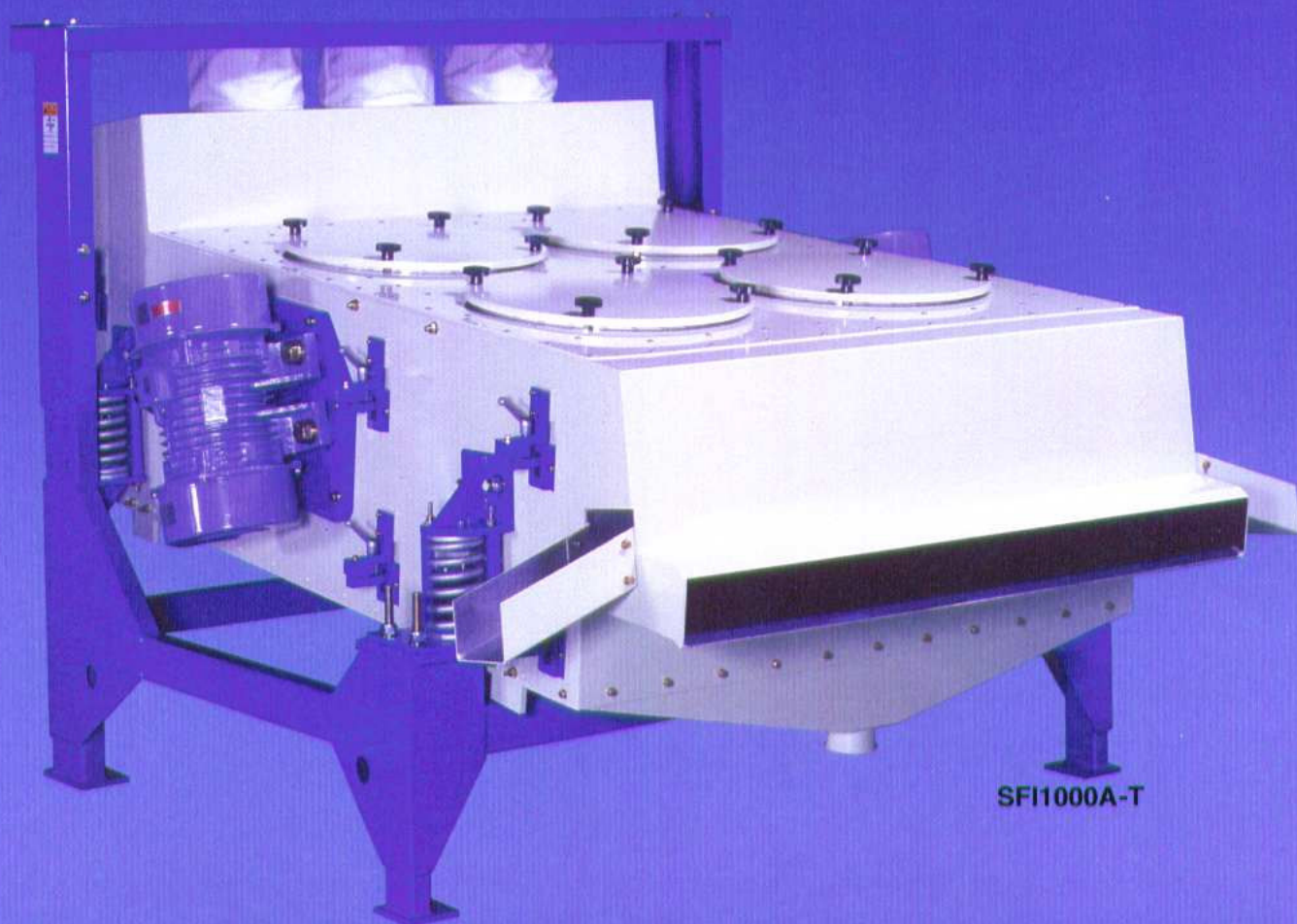


High Capacity Milling Separator

# MILLING SEPARATOR

SFI1000A-T /1500A-T



# MILLING SEPARATOR

The Satake Milling Separator SFI is an all purpose separator for the cleaning of cereal grains, such as rice, wheat, maize (corn), rye, oats, etc. The oscillation of the double deck sieves efficiently removes both large or coarse material, and fine impurities from the grain being cleaned.

The SFI is available as a Silo rice, (elevator) Intake Separator for high capacities and as a Milling Separator, to provide a more precise separation.

The SFI can be used with a simple exhaust or can be matched to either a SCA Closed Circuit Aspirator or an open circuit aspirator.

## FEATURES:

- High separating efficiency.
- Large capacity.
- Robust construction with low maintenance requirements.
- Easy sieve removal.
- Easy inspection cover removal.
- Simple and precise motor alignment.

## MILLING SEPARATOR

### Specifications

Model		SFI1000A-T	SFI1500A-T	
Capacity (t/h)*1	Paddy *2	5	10	
	Brown Rice *2	10	15	
	Wheat	Intake	65	100
		Cleaning	16	25
Motor (kW)		0.85-6Px2	1.6-6Px2	
Suction	(m <sup>3</sup> /min.)	12	12	
	(kPa)	-0.2	-0.2	

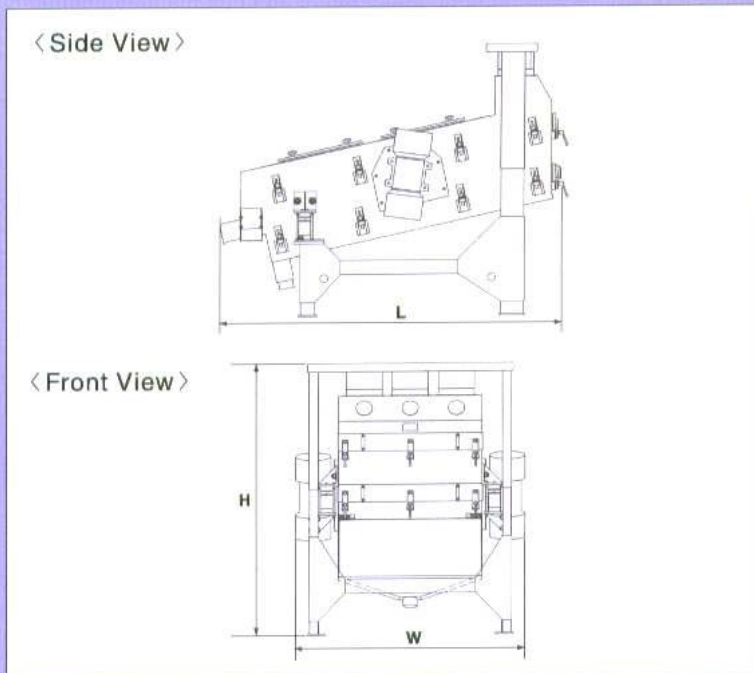
### Material Condition

Material	Contamination of Impurities(%)	Moisture Content(%)
Paddy	Below 2	Below 15
Brown Rice	Below 2	Below 15
Wheat	Below 3	Below 15

\*1 Capacities are dependent on material characteristics.

\*2 Capacities for long and middle grain rice

### Dimensions



Model	W(mm)	L(mm)	H(mm)	Net Weight(kg)
SFI1000A-T	1,606	2,423	1,933	1,000
SFI1500A-T	2,236	2,423	1,933	1,500

All Satake products are the subject of continuous development and, as a result, their specification may change and differ in detail from those shown.

SATAKE CORPORATION is registered with ISO9001 standards for quality management systems and ISO14001 standards for environmental management systems.



## SATAKE CORPORATION

### Head Office

2-30, Saijo-Nishihonmachi, Higashi-Hiroshima, 739-8602, Japan  
Tel : +81-82-420-8560/8539  
Fax : +81-82-420-0865  
e-mail: kg-hiroshima@satake-japan.co.jp  
URL : www.satake-japan.co.jp

### UK Division

P.O.Box 53, Bredbury, Stockport, Cheshire, SK6 2FG, England  
Tel : +44-161-406-3800  
Fax : +44-161-406-3801  
e-mail : sales@satake.co.uk  
URL : www.satake.co.uk

### Beijing Office

Room 203B, Chang Xin Building, No.39 An Ding Road, Chao Yang District, Beijing, P.R. China  
Tel : +86-10-6443-3822  
Fax : +86-10-6443-4188

### Bangkok Office

133 Moo 5, Bangkadi Industrial Park, No.39 An Ding Road, Patumthani 12000 Thailand  
Tel : +66-2-501-1223  
Fax : +66-2-501-1225  
e-mail : sataketh@asia.com

### Yangon Office

No.32, Pyay Road, Hlaing Township, Yangon Myanmar  
Tel : +95-1-525077  
Fax : +95-1-512742  
e-mail : ygsatake@mptmail.net.mm

### SATAKE USA INC.

10905 Cash Road, Stafford, Texas 77477 U.S.A.  
Tel : +1-281-276-3600  
Fax : +1-281-494-1375  
e-mail : rice@satake-usa.com  
URL : www.satake-usa.com

### SATAKE AUSTRALIA PTY. LTD.

23-25 Marigold Street, Revesby, NSW 2212 Australia  
Tel : +61-2-9774-1155  
Fax : +61-2-9774-1248  
e-mail : satausa@ozemail.com.au  
URL : www.satake.com.au

### SATAKE (THAILAND) CO., LTD.

133 Moo 5, Bangkadi Industrial Park, Tivanon Road, Patumthani 12000 Thailand  
Tel : +66-2-501-1180  
Fax : +66-2-501-1188  
e-mail : sataketh@asia.com

### SATAKE MANUFACTURING (SUZHOU) CO., LTD.

Jin Feng Road, Suzhou New District, Suzhou City, Jiangsu Province P.R.China  
Tel : +86-512-6536-8225  
Fax : +86-512-6536-3004  
URL : www.satake-suzhou.com.cn

### SATAKE (CANADA) INC.

2550 Argenta Road, Suite 119 Mississauga, Ontario L5N 5R1 Canada  
Tel : +1-905-858-0791  
Fax : +1-905-858-0957

### SATAKE AMERICA LATINA LTDA.

Rua Xavantes, 155-Bairro Atradores, CEP 89203-210, Joinville, Santa Catarina, Brazil  
Tel : +55-47-438-0413  
Fax : +55-47-438-7932  
e-mail : ricardo@satake.com.br

### SATAKE INDIA ENGINEERING PVT. LTD.

4th Floor, Tower-1, HB Twin Towers, A2, 3, 4-Netaji Subhash Place, Wazirpur District Centre, New Delhi, 110034, India  
Tel : +91-11-41472626  
Fax : +91-11-41472624