

---

# SATAKE PADDY HUSKER

---



HR10PP-TA

FOREMOST IN THE GRAIN WORLD  
**SATAKE CORPORATION**

Satake Corporation's research and development efforts have been continuously focused on the goal of achieving the optimum performance, durability and sanitary design of rubber roll huskers. Design features incorporated in the new designed husker have resulted in an automatic husker, which establishes a new industry standard for efficiency at high feed rates. The new husker offers the advantages of decreased breakage, greater aspiration efficiency and significantly improved rubber roll life.

## FEATURES

### Higher Capacity

Satake corporation engineered into the design of the new husker, a unique feeding technique initially developed and used on Satake's vision systems equipment. This revolutionary integration of technologies by Satake has resulted in a system which presents paddy to the husker rolls in the best possible orientation and at the highest feed rate practicable for the variety of rice being husked.

### Reduced Broken

In-plant testing of the new husker has proven a significant reduction in the level of broken generated during the husking process. This is the result of the improved feeding system.

### Automatic Operation

A level gauge monitors paddy being fed into the husker inlet and activates an air cylinder which opens the shutter and feeds the paddy into the husking chamber. The pneumatic control system maintains a constant pressure between the rubber rolls, which helps to ensure a uniform husking ratio.

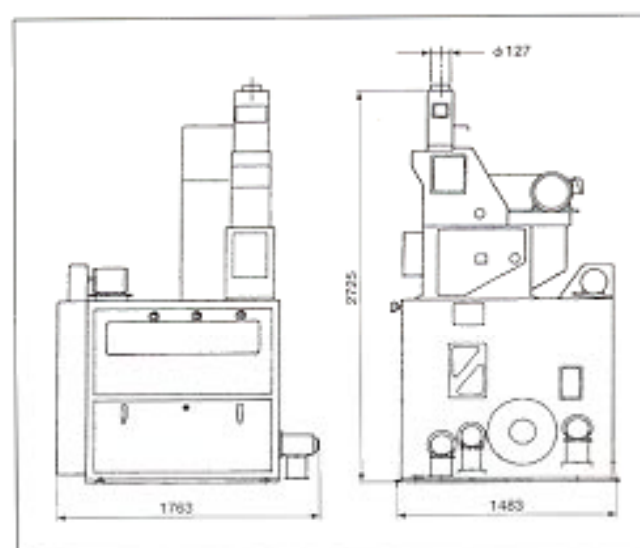
### Rubber Roll Life

Satake's unique feeding system, coupled with its precise control system, greatly enhances the efficiency of the husking process. As a result, the new husker has shown remarkable improvement in rubber roll life, when compared to conventional huskers. Initial testing indicates increases in roll life by 30% or more.

### New Design

The roll housing has been moved forward on the frame to facilitate operator access when changing rubber rolls. The new husker has been proved to offer greater improved aspiration efficiency, when compared to competitive huskers.

## DIMENSIONS



## SPECIFICATIONS

| Model     | Component<br>(Husker & Aspirator) | Input Capacity<br>Tons/Hour on<br>Long Grain Rice | Required Power<br>(kW) | Approximate<br>Shipping<br>Weight (kg) |
|-----------|-----------------------------------|---|------------------------|--|
| HR10PP-TA | HU10PP-TA + HA10P-TA              | 5.5   | 7.5 + 3.7              | 1,170                                  |

All Satake products are the subject of a continuous development program and as a result, their specification may change and differ in detail from that outlined in this leaflet.

Since 1896

# SATAKE CORPORATION

2-30 Saijo, Nishihon-machi, Higashihiroshima-shi, Hiroshima-ken,  
739-8602 Japan Tel. 81-824-20-8539 Fax. 81-824-20-0865  
E-mail: JDG02056@nifty.ne.jp

CAT NO. III-1-(22)