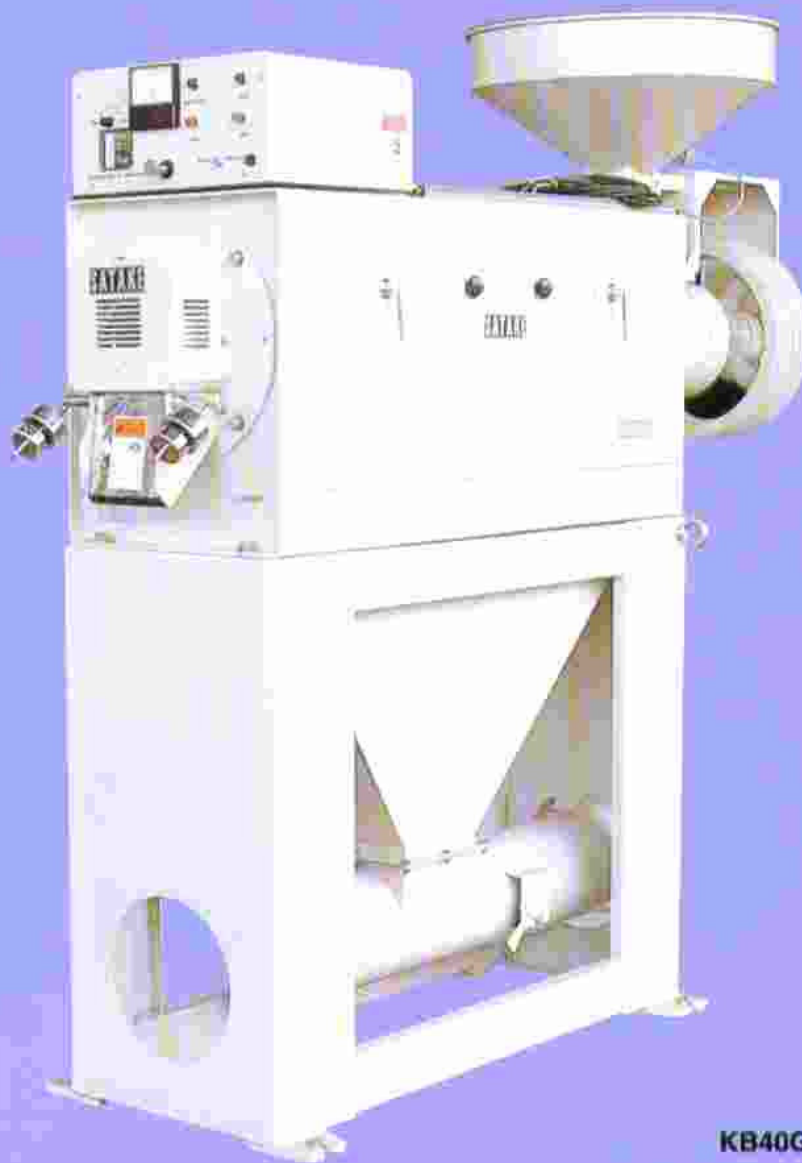


Polishing Machine for Improved Product Quality

# RICE POLISHING MACHINE

**KB40G**



**KB40G-TA**

**SATAKE CORPORATION**

The Satake Rice Polishing Machine KB cleans the surface of rice, significantly enhancing the quality of finished products. The machine has achieved a high reputation in many countries for its high performance and for the innovations which have been incorporated over the past 20 years.

## FEATURES:

### 1. Improves the appearance of rice:

The surface of milled rice becomes smooth and clean, leading to enhanced commercial value.

### 2. Improves the quality of rice:

The residual bran absorbs moisture and helps microorganisms to develop. By removing this residual bran, The Satake KB gives rice a longer shelf life.

### 3. Gentle polishing:

The Satake KB is designed to minimize breakage of rice kernels. Milling rolls and screens are chosen to best fit the material.

### 4. Wide applications:

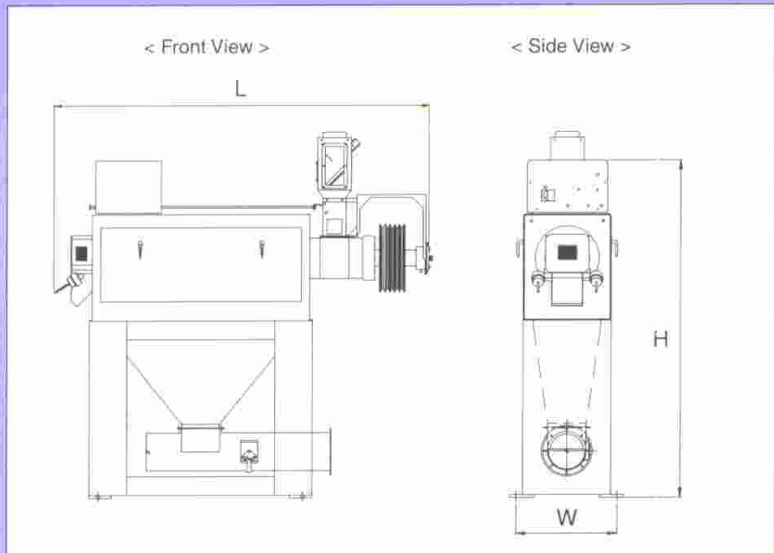
Combination with other Satake Milling Equipment enables application to wide varieties of rice, and even to other grains such as maize.

# RICE POLISHING MACHINE

## Specifications

Model	KB40G
Required Power (kW)	22 or 30 (6P)
Input Capacity (t/h)	2.0~4.0
Required Air Volume (m <sup>3</sup> /min)	35~40
Static Pressure (mmAq)	-130~-150

## Dimensions



Model	W(mm)	L(mm)	H(mm)	Weight (kg)
KB40G-TA	540	2,150	1,730	1,040 *1

\*1 Approximate Shipping Weight (w machine stand, w/o motor)

## Other Applications



KB placed after Satake Rice Whitener (VTA,VBF) improves the milling yield for tender grains like Basmati.

(The number and combination of machines are dependent on materials.)

All Satake products are the subject of continuous development and, as a result, their specification may change and differ in detail from those shown.

SATAKE CORPORATION is registered with ISO9001 standards for quality management systems and ISO14001 standards for environmental management systems.

## SATAKE CORPORATION



### Head Office

2-30, Saijo-Nishihonmachi, Higashi-Hiroshima, 739-8602, Japan  
Tel : +81-82-420-8560/8539  
Fax : +81-82-420-0865  
e-mail: kg-hiroshima@satake-japan.co.jp  
URL : www.satake-japan.co.jp

### UK Division

P.O.Box 53, Bredbury, Stockport, Cheshire, SK6 2FG, England  
Tel : +44-161-406-3800  
Fax : +44-161-406-3801  
e-mail : sales@satake.co.uk  
URL : www.satake.co.uk

### New Delhi Office

11th Floor, Dr. Gopal Das Bhaven, 28 Barakhamba Road, New Delhi 110001 India  
Tel : +91-11-2373-8646  
Fax : +91-11-2373-8647

### Beijing Office

Room 203B, Chang Xin Building, No.39 An Ding Road,Chao Yang District, Beijing, P.R. China  
Tel : +86-10-6443-3822  
Fax : +86-10-6443-4188

### Bangkok Office

133 Moo 5, Bangkadi Industrial Park, Trivanon, Road, Patumthani 12000 Thailand  
Tel : +66-2-501-1223  
Fax : +66-2-501-1225  
e-mail : sataketh@asia.com

### Yangon Office

No.4 Kanthaya Street, South Okkalapa Township, Yangon Myanmar  
Tel : +95-1-578303  
Fax : +95-1-570610