

SATAKE

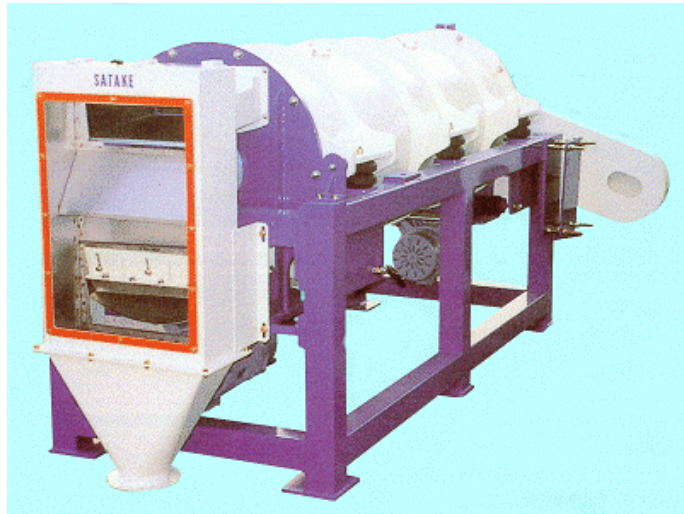
HYDRATOR SHD

The Satake Hydrator is an innovative grain tempering mixer designed to provide high levels of moisture addition in a single operation.

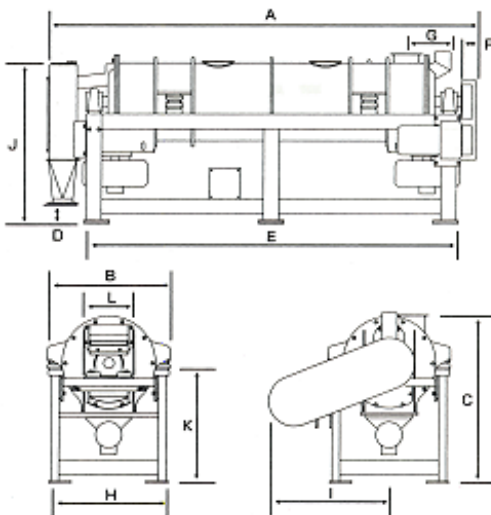
The use of vibration to provide exceptional water dispersion is combined with slow stirring and a long dwell time to ensure absorption for up to 8% moisture.

Grain leaving the machine has no free surface moisture, eliminating any subsequent temper bin discharge problems.

The Hydrator can be used in conjunction with a simple water flow meter or the most sophisticated automatic moisture control system.



Tests show that the Hydrator disperses water so effectively that the range of individual kernel moisture contents in a sample is less than half that of conventional tempering mixers. The angle of response of a sample, taken immediately after the Hydrator, is significantly lower than with conventional equipment. Angle of response is a good measure of the flow characteristics of grain, the lower the angle the more free-flowing is the material.

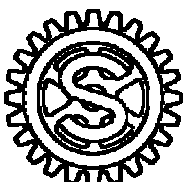


Model	Input Capacity (t/h)			Motor Size	Net Weight
	Maximum increase of moisture				
	8%	5%	3%		
SHD5A	4~5	5~7	7~10	2 x 1.2kW-2P 1 x 2.2kW-4P	850 kg
SHD10A	8~10	10~15	15~20	2 x 2.2kW-2P 1 x 3.7kW-4P	1300 kg

Outside dimensions (mm)

	A	B	C	D	E	F
SHD5A	2763	790	1120	123	2392	96
	G	H	I	J	K	L
	325	740	778	1053	792	340
SHD10A	A	B	C	D	E	F
	2931	1000	1420	74	2392	127
	G	H	I	J	K	L
	296	1050	1007	1356	992	555

All Satake products are the subject of continuous development and, as a result, their specification may change and differ in detail from that outlined in this leaflet.



Hiroshima, Japan
Houston, U.S.A.
Stockport, England

Tel: +81 824 20 8560
Tel: +1 713 772 8400
Tel: +44 161 406 3800

Fax: +81 824 20 0865
Fax: +1 713 772 8484
Fax: +44 161 406 3801

www.satake-japan.co.jp
www.satake-usa.com
www.satake.co.uk
JDG02056@nifty.ne.jp
cereal@satake-usa.com
sales@satake.co.uk

SATAKE

Building on a Tradition of Excellence