

SATAKE

HORIZONTAL SCOURER SHSA

The Satake Horizontal Scourer SHSA has been engineered to provide a through scouring and impacting effect on grain and is used in various places within grain cleaning plants.



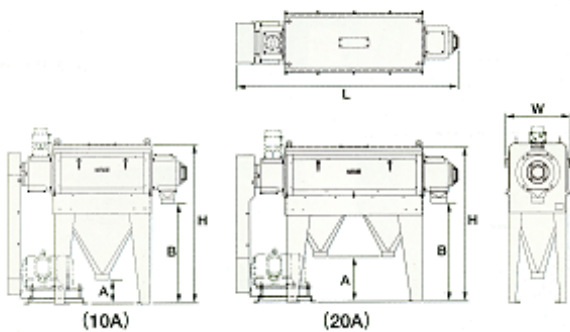
The machine will effectively remove outer husks and crease dirt by its intense scouring action and will reduce in size and therefore remove through the sieve apertures any mudballs, small friable seed impurities and any insect fragments. Similarly the impactor/scourer will break the weaker, insect damaged kernels and effectively eliminate them.

By removal of these impurities the SHSA provides more hygienic storage conditions within the cleaning and tempering sections and will reduce the colour, ash, filth and microorganism content of the final products milled from the grain.

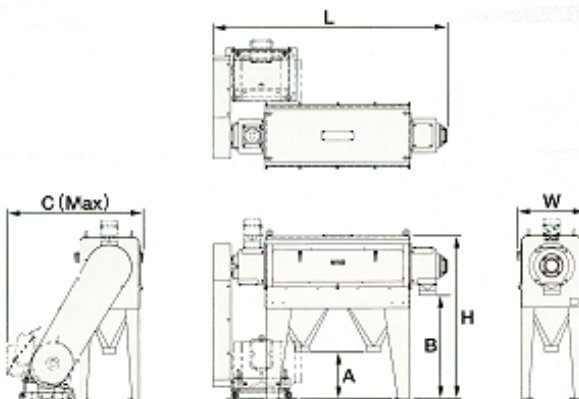
SHSA Features:

- High throughput with intense scouring action
- Low space and power requirement
- Hygienic design with excellent accessibility for internal and external cleaning
- Sieve drum easily and rapidly replaced
- Most hygienic storage conditions due to insect and microorganism removal
- Lower ash/colour final products due to crease dirt, mudball and small seed removal

SHSA 10A/20A



SHSA 30A



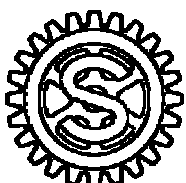
Model	Capacity* Ton/hr	Required Power kW	Dust Suction		Net Weight kg
			M ³ /min	kPa	
10A	10	11-4P	8	-0.2~0.3	900
20A	20	15-4P	12	-0.2~0.3	950
30A	30	22-4P	12	-0.2~0.3	1000

*Capacity is dependent upon the application and product quality required

OUTSIDE DIMENSIONS (MM)

Model	L	W	H	A	B	C
10A	1721	630	1543	239	970	-
20A	2169	633	1524	433	970	-
30A	2169	633	1524	433	970	1265

All Satake products are the subject of continuous development and, as a result, their specification may change and differ in detail from that outlined in this leaflet.



Hiroshima, Japan
Houston, U.S.A.
Stockport, England

Tel: +81 824 20 8560 Fax: +81 824 20 0865
Tel: +1 713 772 8400 Fax: +1 713 772 8484
Tel: +44 161 406 3800 Fax: +44 161 406 3801

www.satake-japan.co.jp JDG02056@nifty.ne.jp
www.satake-usa.com cereal@satake-usa.com
www.satake.co.uk sales@satake.co.uk

SATAKE

Building on a Tradition of Excellence