

SATAKE

CLOSED CIRCUIT ASPIRATOR SCA

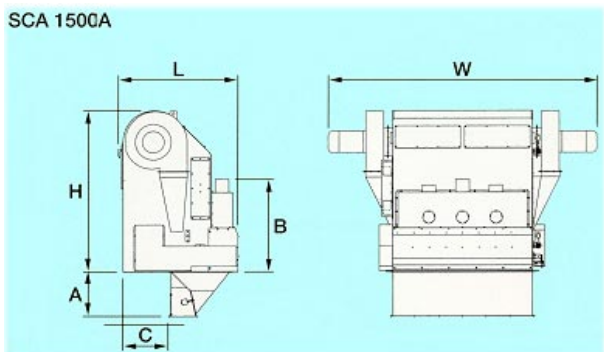
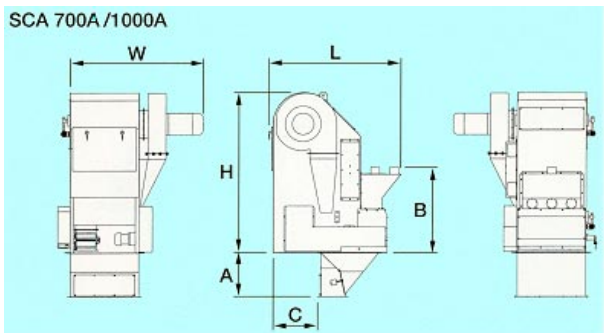
The Satake Closed Circuit Aspirator SCA provides for the efficient, controlled separation of light impurities from cereals.

Three inlet options enable a standalone application as well as compatibility with a Milling Separator or a Scouring Machine.

Whether installed at the grain intake point or integrated into cereal cleaning system, the Satake SCA creates significant savings in energy, space and maintenance.

SCA Features:

- Energy Efficient – All the aspirating air is recycled, greatly reducing the external exhaust requirements and therefore the plant power consumption
- Space Saving – Integration of the fan and settling chamber into the design of the aspirator achieves space saving within the plant
- Reduced Maintenance – Fewer filters requiring less maintenance.

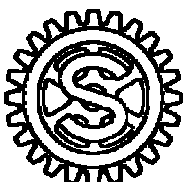


Model	Capacity*		Air Requirements		Fan kW	Vibratory Feeder Screw Conveyor & Rotary Valve kW	Net Weight kg
	Intake Ton/hr	Cleaning Ton/hr	Intake m ³ /min	Cleaning m ³ /min			
700A	45	11	8	4	3.7-2P	0.4-5P(1:5)	720
1000A	65	16	10	6	3.7-2P	0.4-4P(1:5)	780
1500A	100	25	12	8	2x3.7-2P	0.4-4P(1:5)	1020

*Capacity is dependent upon the application and product quality required

OUTSIDE DIMENSIONS (MM)						
Model	L	W	H	A	B	C
700A	1479	1485	1802	500	961	501
1000A	1479	1785	1802	500	961	501
1500A	1326	2977	1802	500	1033	501

All Satake products are the subject of continuous development and, as a result, their specification may change and differ in detail from that outlined in this leaflet.



SATAKE

Building on a Tradition of Excellence

Hiroshima, Japan
Houston, U.S.A.
Stockport, England

Tel: +81 824 20 8560
Tel: +1 713 772 8400
Tel: +44 161 406 3800

Fax: +81 824 20 0865
Fax: +1 713 772 8484
Fax: +44 161 406 3801

www.satake-japan.co.jp
www.satake-usa.com
www.satake.co.uk

JDG02056@nifty.ne.jp
cereal@satake-usa.com
sales@satake.co.uk